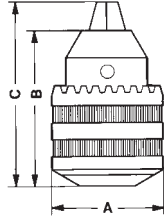


## Key operated chucks

**Medium duty** for professional users of power tools, bench drilling machines, and woodworking machinery.

**Heavy duty** for production drilling machines and industrial power tools.

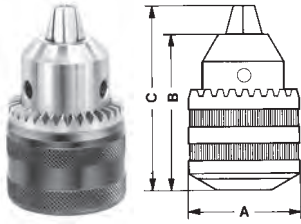
Packed in individual cartons with key



Model No.	Drilling capacity mm	Mount	Through hole diameter mm	With key	A	B	C	Range	Weight g
A04J0	0.5-4	JACOBS 0	-	K0	22	29	35	Medium duty	80
A06B10	0.3-6	DIN B10	-	KS1	32	40	50	Medium duty	135
A06J1		JACOBS 1	-						
A06F38		Female thr. 3/8" x 24	-						
A06F38R		Female thr. 3/8" x 24	5.5						
A08B12	0.3-8	DIN B12	-	KS1	30	44	54	Medium duty	140
A08J1		JACOBS 1	-						
A08F38		Female thr. 3/8" x 24	-						
A08F38R		Female thr. 3/8" x 24	5.5						
A08F12		Female thr. 1/2" x 20	-						
A08F12R		Female thr. 1/2" x 20	6.5						
AP08B12	0-8	DIN B12	-	KS2	37	51	60	Heavy duty	225
AP08J2		JACOBS 2	-						
AP08F38		Female thr. 3/8" x 24	-						
A10B12	0.5-10	DIN B12	-	KS2	37	51	60	Medium duty	220
A10J2		JACOBS 2	-						
A10F38		Female thr. 3/8" x 24	-						
A10F38R		Female thr. 3/8" x 24	5.5						
A10F12		Female thr. 1/2" x 20	-						
A10F12R		Female thr. 1/2" x 20	6.5						
AP10B16	0.5-10	DIN B16	-	KS2	43	62	76	Heavy duty	375
AP10J2		JACOBS 2	-						
A13B12	1.5-13	DIN B12	-	KS2	43	59	73	Medium duty	370
A13B16		DIN B16	-						
A13J2		JACOBS 2	-						
A13J6		JACOBS 6	-						
A13J33		JACOBS 33	-						
A13F38		Female thr. 3/8" x 24	-						
A13F38R		Female thr. 3/8" x 24	5.5						
A13F12		Female thr. 1/2" x 20	-						
A13F12R		Female thr. 1/2" x 20	6.5						
A13F14 *		Female thr. M14 x 2	-						
A13F18 *	Female thr. M18 x 2.5	-							
AP13B16	0.5-13	DIN B16	-	KS3	53	66	89	Heavy duty	615
AP13J6		JACOBS 6	-						
AP13J2		JACOBS 2	-						
AP13J33		JACOBS 33	-						
AP13F58		Female thr. 5/8" x 16	-						
AP16B16	2.5-16	DIN B16	-	KS3	54	67	86	Medium duty	627
AP16B18		DIN B18	-						
AP16J6		JACOBS 6	-						
AP16J33		JACOBS 33	-						
AP16F12		Female thr. 1/2" x 20	-						
AP16F12R		Female thr. 1/2" x 20	6.5						
AP16F18 *		Female thr. M18 x 2.5	-						
AP16F58		Female thr. 5/8" x 16	-						
AP16F58R	Female thr. 5/8" x 16	6.5							
APP16B18	0.5-16	DIN B18	-	KS3	57	79	102	Heavy duty	880
APP16J6		JACOBS 6	-						
APP16J3		JACOBS 3	-						
APP16F58		Female thr. 5/8" x 16	-						
AP20B22	5-20	DIN B22	-	KS4	64	92	116	Heavy duty	1095
AP20J3		JACOBS 3	-						
AP20F34		Female thr. 3/4" x 16	-	KS3	62	80	99		
AP20F58		Female thr. 5/8" x 16	-						
AP26B24	5-26	DIN B24	-	KS4	75	114	139	Heavy duty	2095
AP26J4		JACOBS 4	-						

\* Clearance sale

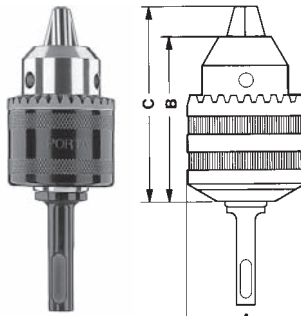
Model numbers ending in letter R indicate chuck supplied with through hole to accommodate a left hand locking screw for reversing tools.



## Standard duty key operated chucks the popular chucks for portable power tools

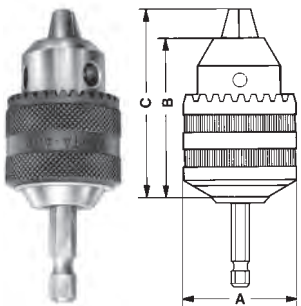
Model numbers ending in letter R indicate chuck supplied with through hole to accommodate a left hand locking screw for reversing tools.

Model No.	Drilling capacity mm	Mount	Through hole diameter mm	With key	A mm	B mm	C mm	Packaging style	Weight g
AH06F38R	0-6	Female thr. 3/8" x 24	5.5	KH810	30	40	50,5	Individual box	112
AH06F38RB								Blister card	
AH08M38	0-8	Male thr. 3/8" x 24	-	KH810	30	43	52	Individual box	135
AH08M38B		Male thr. 3/8" x 24	-					Blister card	135
AH08F38		Female thr. 3/8" x 24	-					Individual box	120
AH08F38R		Female thr. 3/8" x 24	5.5					Individual box	120
AH08F38B		Female thr. 3/8" x 24	-					Blister card	120
AH08F38RB		Female thr. 3/8" x 24	5.5					Blister card	120
AH10B12	1.5-10	DIN B12	-	KH810	33	49	60	Individual box	160
AH10M38		Male thr. 3/8" x 24	-					Individual box	180
AH10M38B		Male thr. 3/8" x 24	-					Blister card	180
AH10F38		Female thr. 3/8" x 24	-					Individual box	165
AH10F38R		Female thr. 3/8" x 24	5.5					Individual box	165
AH10F38B		Female thr. 3/8" x 24	-					Blister card	165
AH10F38RB		Female thr. 3/8" x 24	5.5					Blister card	160
AH10F12		Female thr. 1/2" x 20	-					Individual box	160
AH10F12R		Female thr. 1/2" x 20	6.5					Individual box	160
AH10F12B		Female thr. 1/2" x 20	-					Blister card	160
AH10F12RB		Female thr. 1/2" x 20	6.5					Blister card	160
AH13B12		1.5-13	DIN B12					-	KS2
AH13B16	DIN B16		-	Individual box	280				
AH13M38	Male thr. 3/8" x 24		-	Individual box	295				
AH13M38B	Male thr. 3/8" x 24		-	Blister card	295				
AH13F38	Female thr. 3/8" x 24		-	Individual box	285				
AH13F38R	Female thr. 3/8" x 24		5.5	Individual box	285				
AH13F38B	Female thr. 3/8" x 24		-	Blister card	285				
AH13F38RB	Female thr. 3/8" x 24		5.5	Blister card	280				
AH13F12	Female thr. 1/2" x 20		-	Individual box	280				
AH13F12R	Female thr. 1/2" x 20		6.5	Individual box	280				
AH13F12B	Female thr. 1/2" x 20		-	Blister card	280				
AH13F12RB	Female thr. 1/2" x 20		6.5	Blister card	280				
AH13SDS	SDS		6.5	Individual box	330				
AH13SDSB	SDS		6.5	Blister card	330				
AH16F12R	3-16	Female thr. 1/2" x 20	6.5	KS3	49.4	69	87.5	Individual box	604

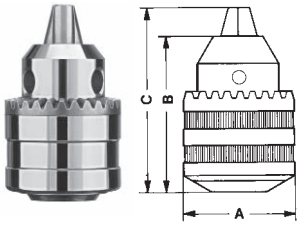


AH13SDS

## Key operated chucks for screwdrivers with 1/4" hexagonal male mount to DIN 3126 - E 6.3

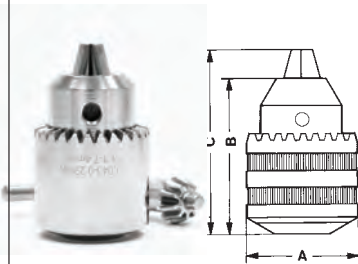


Model No.	Drilling capacity mm	With key	A mm	B mm	C mm	Packaging style	Weight g
AH06X1	0-6	KH810	30	40	50.5	Individual box	126
AH06X1B						Blister card	
AH08X1	0-8	KH810	30	43	52	Individual box	135
AH08X1B						Blister card	
AH10X1	1.5-10	KH810	33	49	60	Individual box	180
AH10X1B						Blister card	



## Standard duty key operated chucks nickel plated.

Model No.	Drilling capacity mm	Mount	Through hole diameter mm	With key	A mm	B mm	C mm	Packaging style	Weight g
AH06F38RNP	0-6	Female thr. 3/8" x 24	5.5	KH810	30	40	50.5	Individual box	107
AH10F38RNP	1.5-10	Female thr. 3/8" x 24	5.5		33	40	58.6		120
AH10F12RNP		Female thr. 1/2" x 20	6.5						



## Stainless steel key operated chucks for use specifically in medical, chemical and food sector.

Model No.	Drilling capacity mm	Mount	With key	A mm	B mm	C mm	Packaging style	Weight g
SSA04J0	0.3-4mm	JT0	SS-K0	22	28	35	Individual box	66
SSA06J1	0.3-6.5mm	JT1	SS-S1	28.5	40.5	49		165
SSA06F38		3/8-24UNF						170
SSA10J2	0.3-10mm	JT2S	SS-S2	39	51	63		295
SSA10F38		3/8-24UNF						



## Ball-bearing drill chuck with key - for production drilling equipment.

Drill chuck with key for industrial applications that require the toughest machining conditions. Equipped with ball bearings to reduce frictions in the tightening mechanism and provide a better grip on the drill shaft.

All the pieces are hardened and ground.

Range up to 25 mm capacity

Porta code	Jacobs equivalent	Capacity mm	Mount	Key type
APBB10J2	11N	1-10	JT2	K2
APBB13J3	14N	1-13	JT3	K3
APBB16J3	16N	1-16	JT3	K4
APBB20J4	18N	1,5-20	JT4	K4
APBB25J5	20N	5-25	JT5	K5

## Chuck keys



Model No.	Key model	Standard	A mm	Teeth No.	For key chucks type	Packaging style	Weight g
KS1	KS1	DIN S1	4	10	A06-A08	Bulk	10
KS1B						Blister card	
KS1P50						50 pcs. box	
KS2	KS2	DIN S2	6	12	AP08-AP10-A10 A13-A16-AH13	Bulk	40
KS2B						Blister card	
KS2P50						50 pcs. box	
KS2PK	KS2PK	DIN S2	6	12	A13F12PKR	Bulk	59
KS3	KS3	DIN S3	8	12	AP13-AP16 APP16	Bulk	80
KS3B						Blister card	
KS3P25						25 pcs. box	
KH810	KH810	DIN S14	6	11	AH08-AH10	Bulk	20
KH810B		JACOBS KG				Blister card	
KH810P50		JACOBS KG				50 pcs. box	
K20	K20	DIN S13 JACOBS K4	9,5	12	-	Bulk	120
KS8	KS8	DIN S8 JACOBS K30S	6	10	Black & Decker 13 mm	Bulk	40
KS8B						Blister card	
KS8P50						50 pcs. box	
K1	K1	DIN S7 JACOBS K1	4	11	-	Bulk	10
K1B						Blister card	
K2	K2	JACOBS K2	6,3	11	-	Bulk	40
K2B						Blister card	
K32	K32	DIN S9 JACOBS K32	6,3	10	-	Bulk	60
K32B						Blister card	
KS10	KS10	DIN S10 JACOBS K3	8	11	-	Bulk	70
KS10B						Blister card	
KS4	KS4	DIN S4	9	14	AP20 - AP26	Bulk	150
KS4B						Blister card	
K0	K0	JACOBS K0	3	11	A04	Bulk	20
K0B						Blister card	
KJ6	KJ6	CK-3	4	12	Makita 6 mm	Bulk	36
KJ6B						Blister card	
KJ10	KJ10	CK-4	5,5	12	Makita 10 mm	Bulk	53
KJ10B						Blister card	
KJ13	KJ13	CK-5	6,5	12	Makita 13 mm	Bulk	61
KJ13B						Blister card	
KL0	Rubber strap to attach key on power tool cable					Bulk	-